

# amerikooler

## Amerikooler Mortuary System includes a Penthouse Refrigeration System



### AMERIKOOLER'S INNOVATIVE ADVANTAGES

#### Amerikooler's Mortuary System

The AmeriKooler Mortuary System is shipped assembled as shown below. It has 3 body modular units completely assembled. This system can be enlarged by adding more modules for more capacity. Our modules can be placed next to each other. Refrigeration System is one Top-Mount, Self-Contained, Plug-In and ready-to-use system available in medium and low temperatures. Larger and taller walk-in units available without shelves for rolling in tables, and remote refrigeration system.

# amerikooler



Outside View



Inside View

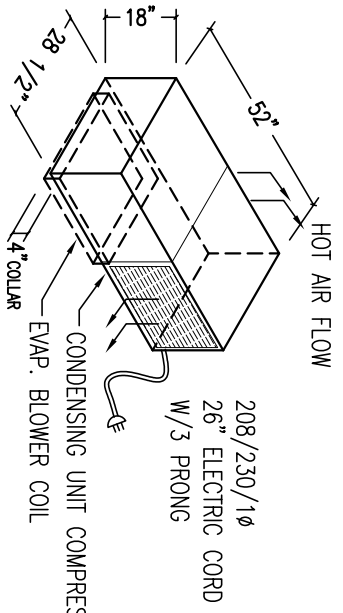
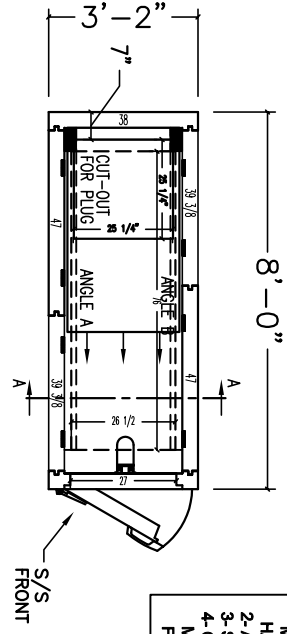
Each modules exterior dimensions are 3'-2" Wide by 8'-0" Long by 6'-2" High. Add 2'-0" for a state-of-the-art top mounted self-contained Heatcraft .Pro-3® refrigeration system. The Heatcraft Pro-3 Refrigeration System is completely self-contained. Just drop it into the supplied ceiling opening, and plug it in to 208/230-1Ø 20-amp circuit for medium temperature. For low temperature specs, please call us. No need for mechanical, electrical, or plumbing: It's ready to go!

Panel Construction:

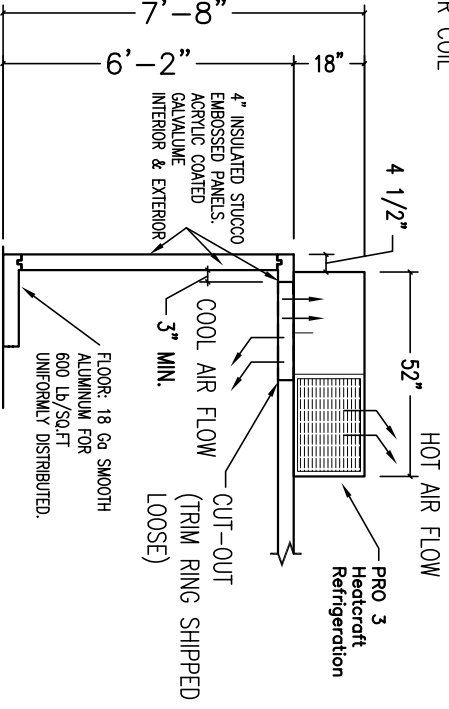
- AK-XPS4 Extruded Foam Panel Core "blue board" insulation manufactured by The DOW Company
- Code Aprovals NSF, UL, MEA-New York City, City of Houston, TX, State of Oregon.
- Shipped completely assembled and crated. Just drop the refrigeration and plug.
- Stainless Steel 304 #3 polished front, door, and frame. Optional: All stainless steel In and Out.
- "Acrylic coated" 26 ga. galvalume inside and out: Resistant to scratches, oxidation, and stains. Easy to clean and sanitary.
- Vapor-proof light, on and off pilot switch with stainless steel cover - optional
- Flush, infitting, magnetic self-closing door, with door closer and keyed latch. Heavy-duty PVC door and frame consturction.

**AMERIKOOLER MORTUARY SYSTEM  
SHIPPED ASSEMBLED CRATED AND  
REFRIGERATION SHIPPED SEPARATED ON CRATED**

NO.	PART	QTY
1	STAINLESS STEEL DOOR & FRAME FLUSH MAGNETIC SELF CLOSING WITH KEY HANDLE AND DOOR CLOSER	6
2	ACRYLUME CHANNEL OF WALLS	
3	SLIDING BODY TRAY	
4	CLEAR ACRYLIC COATED GALVALUME METAL FINISH INSIDE AND OUTSIDE (EXCEPT FRONT EXTERIOR DOOR)	



**FRONT SECTIONAL VIEW A-A**



**4" INSULATION:**  
**AK-XPS4™**  
**HI-PERFORMANCE**  
**PANEL CORE**  
**COOLERS R-29**  
**FREEZERS R-32**

DOOR ELECTRICAL DATA					
QTY OF DOOR	DESCRIPTION	OHMS	VOLTAGE	AMP. EACH DOOR	TOTAL AMP.
1	FLUSH 26" X 69" COOLER DOOR & LIGHT		430/1	1.0	1.0

REFRIGERATION: U<sub>1</sub>, NSF LISTED

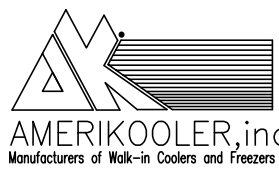
PRO. 3 TOP-MOUNTED, SELF-CONTAINED HERMETIC UNIT (MFD TEMP +35°F, LOW TEMP 0°F) INDOOR REMOTE

PRO. 3	HP	VOLT	PHASE	BTU	AMP
+35°F	1 1/2	208/230	1	4980	20
0°F	1 1/2	208/230	1	7000	20

- TOP-MOUNT READY REFRIG. SYSTEM (SHIPPED LOOSE CRATED) (READY TO GO)**
- 1-DO NOT USE EXTENSION CORD TO CONNECT UNIT TO POWER SUPPLY
  - 2-ALL CONTROLS ARE PRE-SET
  - 3-FOR INDOOR USE ONLY. AMBIENT 95°F
  - 4-UNIT MUST NOT BE ENCLOSED IN AN UNVENTILATED SPACE. NEED VENTILATION
  - 5-FLUSH BLOWER COIL WITH GELING PANEL
  - 6-REFRIGERATION SIZES IS FOR HOLDING APPLICATIONS.
- NO OTHER LOAD HAVE BEEN CALCULATED.
- 7-JUST PLUG-IN 208/230/4/5 (20 AMP.)
  - 8-DO NOT NEED DRAIN LINE, COMES WITH EVAPORATOR PAN.
  - 9-WILL FIT IN ROOM CEILING HEIGHT OF 8'-0" OR HIGHER.
  - 43-SHIPPED ASSEMBLE AND CRATED.
  - 11-REFRIGERATION SYSTEM LOOSE, CRATED

AMERIKOOLER WALK-IN LISTINGS:  
NSF, U<sub>1</sub>, CITY OF NEW YORK M.E.A  
CITY OF HOUSTON TX BUILDING DEPT  
STATION OF OREGON

**OUTSIDE STANDARD HEIGHT**  
♦ 7'-7" (91")  
♦ 8'-7" (103")



**MORTUARY SYSTEM**

SCALE: DRAWN BY: DATE: REV:

575 EAST 43th AVENUE, HALEAH, FLORIDA 33043  
TEL. (305)884-8384. TOLL FREE 1(800)627-5665  
FAX (305)884-8330

C:\Documents and Settings\erfrquely\My Documents\BOXES FOR INTERNET\NEW PRODUCTS FOR INTERNET.dwg, 1/23/2009 11:48:30 AM, entrique