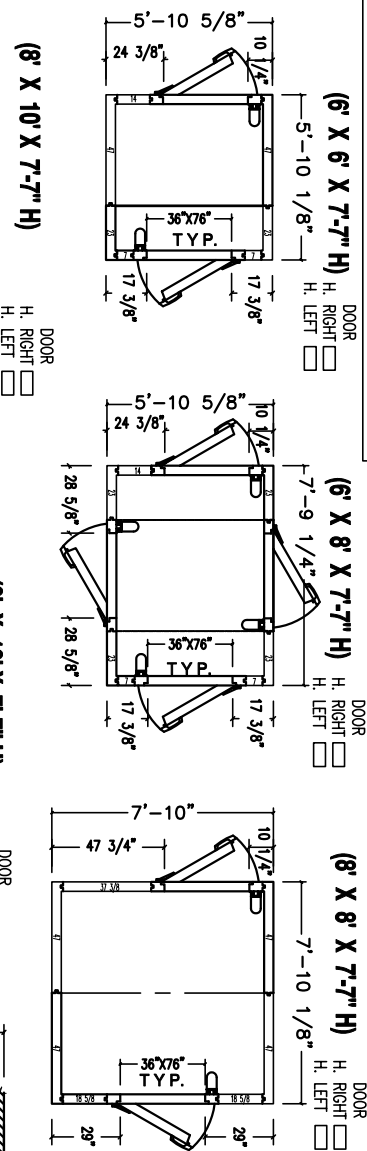


*** DOOR LOCATION INTERCHANGEABLE AS SHOWN**

QUICK SHIP 5 DAYS (DOOR CENTERED)

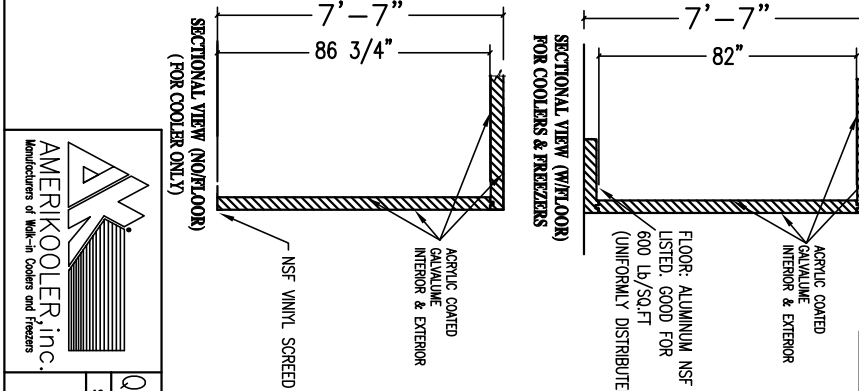
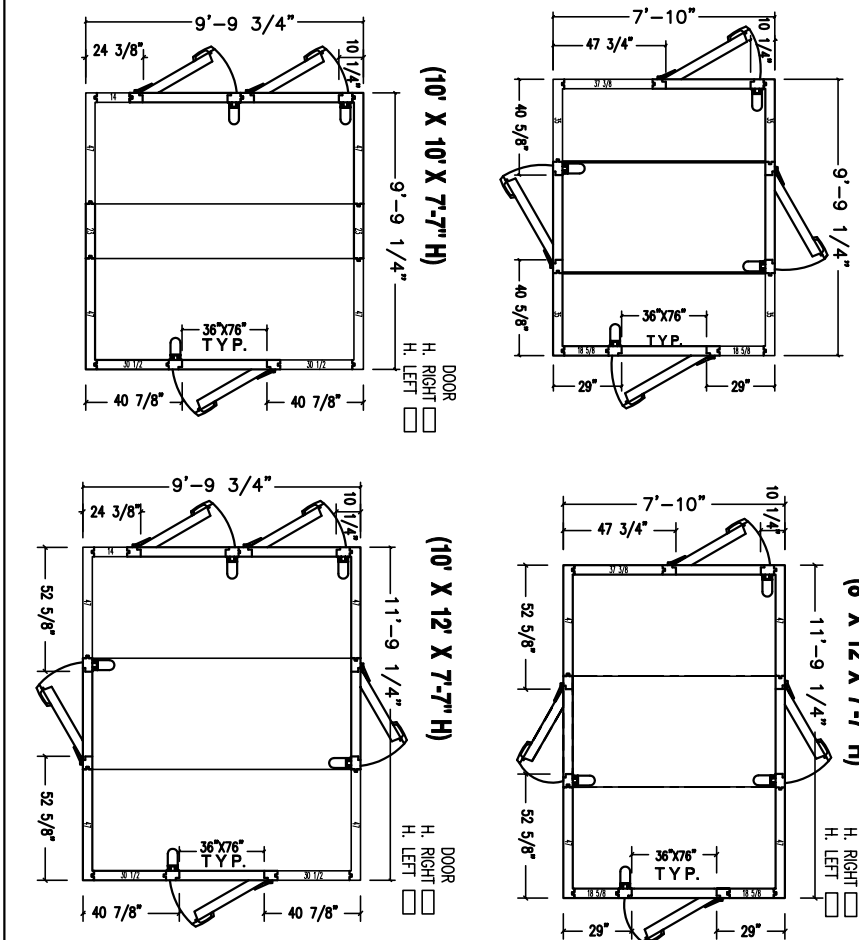


4" INSULATION:
AK-XPS4™
HI-PERFORMANCE
PANEL CORE
COOLERS R-29
FREEZERS R-32

PLEASE SPECIFY IF:

COOLER SIZE: _____ (OR) WITHOUT FLOOR: _____
 WITH FLOOR: _____ (OR) WITHOUT FLOOR: _____
 DOOR HINGE: RIGHT: _____ (OR) LEFT: _____
 DOOR HINGE: RIGHT: _____ (OR) LEFT: _____

REFRIGERATION:
 -REMOVE OUTDOOR PRE-ASSEMBLE CONDENSIGN UNIT AND EVAPORATOR COIL:
 -REMOVE INDOOR PRE-ASSEMBLE CONDENSIGN UNIT AND EVAPORATOR COIL:
 -REMOVE INDOOR LOOSE COMPONENTS
 -REMOVE OUTDOOR LOOSE COMPONENTS



QUICK SHIP BOXES	
SCALE: NTS	DRAWN BY:
DATE:	REV:
575 EAST 10th ABERDEEN/FAIRBORN, SD 57501 TEL: (605) 994-4341 FAX: (605) 992-2895 FAX: (605) 994-4310	
PAGE: 2	of 43