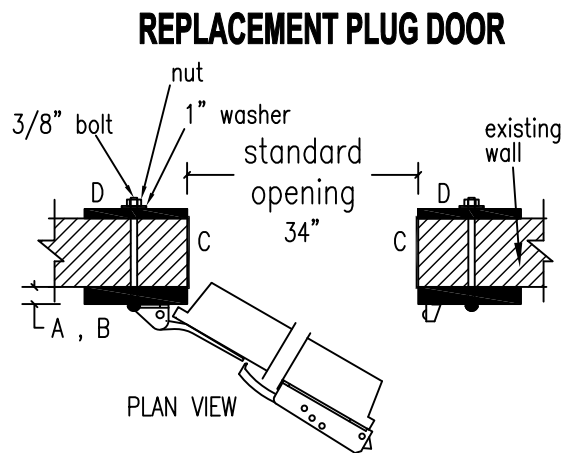


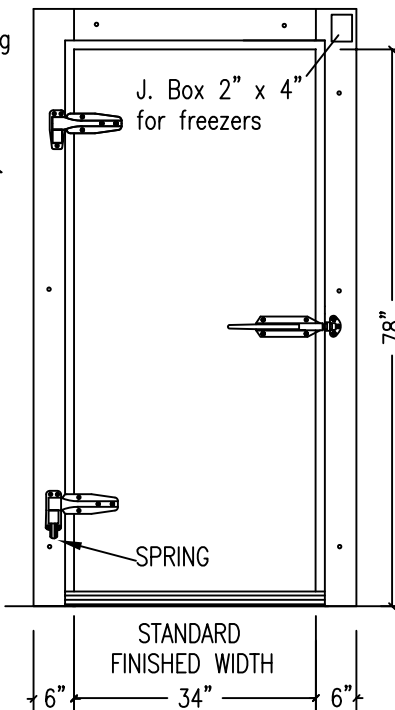
AMERIKOOLER, INC.

"SMALL SIZES REPLACEMENT PLUG DOOR"



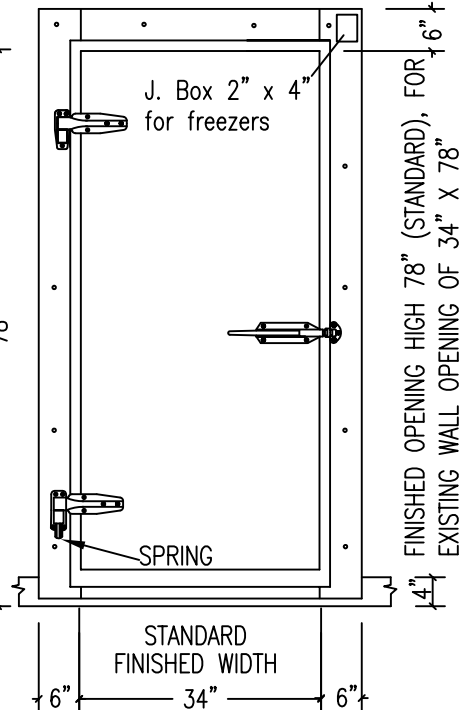
- A - 1 1/2" HEAVY DUTY WOOD FRAME FOR STANDARD SIZE FROM 34" X 78" TO 42" X 84".
- B - 2 1/4" HEAVY DUTY WOOD FRAME FOR STANDARD SIZE 42" X 84"
- C - (3) 1" X 4" PVC CHANNEL FOR INSIDE WALL COVER (LOOSE).
- D - (3) 3/4" X 6" WOOD METAL CLAD INSIDE-CASING LOOSE

"For Walk-ins w/o Floor" (3 SIDE FRAME)



A -

"For Walk-ins with Floor" (4 SIDE FRAME)



B -

A - Plug Swing Door for no floor boxes with 3 frame
B- Plug Swing Door for with floor boxes with 4 frame

STANDARD SIZES :

- 34" X 78" WITH 2 HINGES
- 36" X 76" WITH 2 HINGES
- 42" X 84" WITH 3 HINGES

FEATURES:

- ◆ COOLER DOOR
- ◆ FREEZER DOOR
(WITH HEATER WIRE ON ALL FOUR SIDES, SINGLE LOOP, INTO A 2" X 4" EXTERIOR JUNCTION BOX.)
- ◆ METAL FINISH; ACRYLIC COATED GALVALUME 26 GA. STUCCO EMBOSSED.
- ◆ HEAVY DUTY DOOR FRAME METAL CLAD OVER SEAL PLYWOOD FOR STRUCTURAL STRENGTH ("A", "B")
- ◆ HEAVY DUTY KASON HARDWARE, SPRING HINGES, LATCH WITH INSIDE RELEASE AND DOOR CLOSER.
- ◆ 8 TO 12 BOLTS
8" X 3/8"Ø PASS-THRU BOLTS,
2"Ø WASHER AND NUTS

- ◆ THERMOPLASTIC PVC MAGNETIC GASKET AND BOTTOM DOUBLE SWEEP GASKET.
- ◆ 4" PVC CHANNEL AS RETURN JAMB ("C") OR U METAL TRIMS.
- ◆ AVAILABLE IN OTHER METAL FINISHES
- ◆ 3/4" X 6" WOOD METAL CLAD INSIDE CASING LOOSE ("D") STANDARD

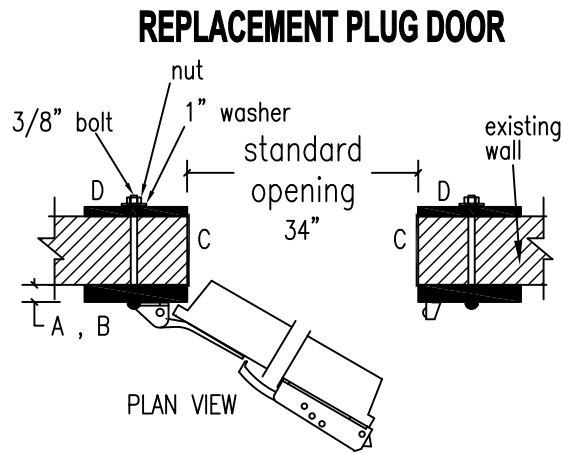
OPTIONS :

- ◆ KICK PLATE-ALUMINUM DIAMOND PLATE OF 36" HIGH INTERIOR, EXTERIOR OR BOTH SIDES.
- ◆ WHITE STUCCO EMBOSSED GALVANIZED STEEL WITH SILICONIZED POLYESTER PAINT.
- ◆ STAINLESS STEEL #304 IN & OUT
- ◆ VISION PANEL 3 PANE, NON HEATED OR HEATED, OF 12" X 12" OR 12" X 24"
- * PLUG DOOR CAN BE ORDERED FOR STOCK, TO BE EITHER, A COOLER OR A FREEZER, WITH HEATER WIRE TO A J.BOX. (USUALLY THIS IS USED WHEN BOUGHT IN QUANTITIES FOR STOCK)

4" INSULATION:

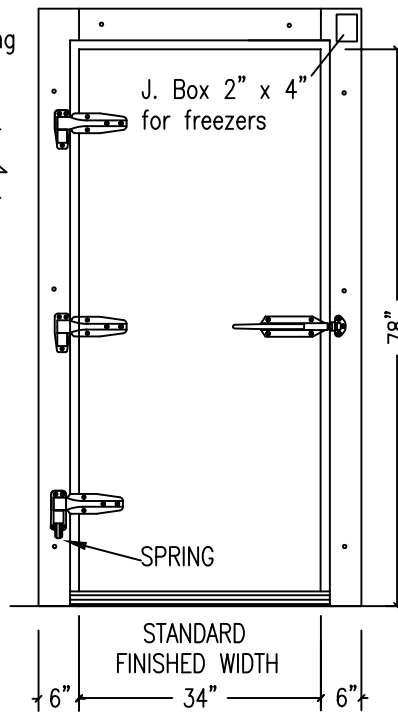
AK-XPS4™
HI-PERFORMANCE
PANEL CORE

COOLERS R-29
FREEZERS R-32



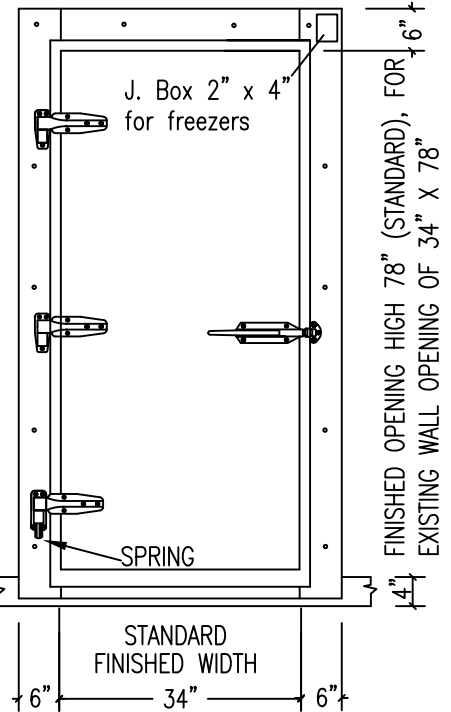
- A - 1 1/2" HEAVY DUTY WOOD FRAME FOR STANDARD SIZE FROM 34" X 78" TO 42" X 84".
- B - 2 1/4" HEAVY DUTY WOOD FRAME FOR STANDARD SIZE 42" X 84"
- C - (3) 1" X 4" PVC CHANNEL FOR INSIDE WALL COVER (LOOSE).
- D - (3) 3/4" X 6" WOOD METAL CLAD INSIDE-CASING LOOSE

"For Walk-ins w/o Floor" (3 SIDE FRAME)



A -

"For Walk-ins with Floor" (4 SIDE FRAME)



B -

- A - Plug Swing Door for no floor boxes with 3 frame**
- B- Plug Swing Door for with floor boxes with 4 frame**

STANDARD SIZES :

- 34" X 78" WITH 2 HINGES
- 36" X 76" WITH 2 HINGES
- 42" X 84" WITH 3 HINGES

FEATURES:

- ◆ COOLER DOOR
- ◆ FREEZER DOOR
(WITH HEATER WIRE ON ALL FOUR SIDES, SINGLE LOOP, INTO A 2" X 4" EXTERIOR JUNCTION BOX.)
- ◆ METAL FINISH; ACRYLIC COATED GALVALUME 26 GA. STUCCO EMBOSSED.
- ◆ HEAVY DUTY DOOR FRAME METAL CLAD OVER SEAL PLYWOOD FOR STRUCTURAL STRENGTH ("A", "B")
- ◆ HEAVY DUTY KASON HARDWARE, SPRING HINGES, LATCH WITH INSIDE RELEASE AND DOOR CLOSER.
- ◆ 8 TO 12 BOLTS
8" X 3/8"Ø PASS-THRU BOLTS,
2"Ø WASHER AND NUTS

- ◆ THERMOPLASTIC PVC MAGNETIC GASKET AND BOTTOM DOUBLE SWEEP GASKET.
- ◆ 4" PVC CHANNEL AS RETURN JAMB ("C") OR U METAL TRIMS.
- ◆ AVAILABLE IN OTHER METAL FINISHES
- ◆ 3/4" X 6" WOOD METAL CLAD INSIDE CASING LOOSE ("D") STANDARD

OPTIONS :

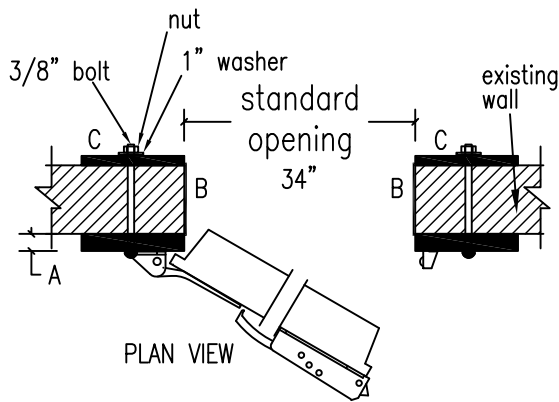
- ◆ KICK PLATE-ALUMINUM DIAMOND PLATE OF 36" HIGH INTERIOR, EXTERIOR OR BOTH SIDES.
- ◆ WHITE STUCCO EMBOSSED GALVANIZED STEEL WITH SILICONIZED POLYESTER PAINT.
- ◆ STAINLESS STEEL #304 IN & OUT
- ◆ VISION PANEL 3 PANE, NON HEATED OR HEATED, OF 12" X 12" OR 12" X 24"
- * PLUG DOOR CAN BE ORDERED FOR STOCK, TO BE EITHER, A COOLER OR A FREEZER, WITH HEATER WIRE TO A J.BOX. (USUALLY THIS IS USED WHEN BOUGHT IN QUANTITIES FOR STOCK)

4" INSULATION:

**AK-XPS4™
HI-PERFORMANCE
PANEL CORE**

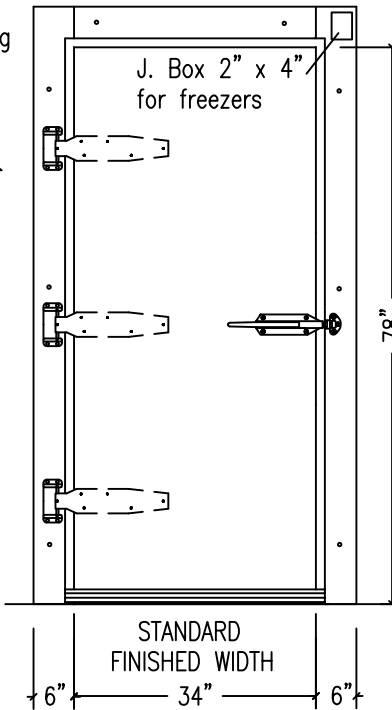
**COOLERS R-29
FREEZERS R-32**

REPLACEMENT PLUG DOOR



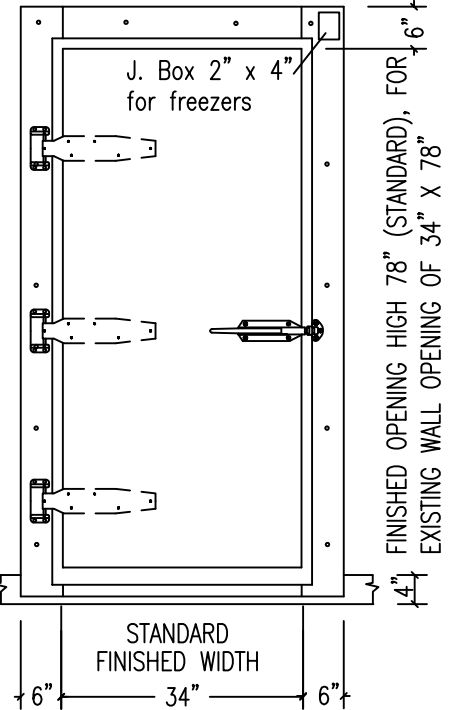
- A - 2 1/4" HEAVY DUTY WOOD FRAME FOR STANDARD SIZE FROM 45" X 84" TO 60" X 84".
- B - (3) 1" X 4" PVC CHANNEL FOR INSIDE WALL COVER (LOOSE).
- C - (3) 3/4" X 6" WOOD METAL CLAD INSIDE-CASING LOOSE

"For Walk-ins w/o Floor" (3 SIDE FRAME)



A -

"For Walk-ins with Floor" (4 SIDE FRAME)



B -

A - Plug Swing Door for no floor boxes with 3 frame
B- Plug Swing Door for with floor boxes with 4 frame

STANDARD SIZES :

- 45" X 84" WITH 2 HINGES
- 48" X 84" WITH 2 HINGES
- 60" X 84" WITH 3 HINGES

FEATURES:

- ◆ COOLER DOOR
- ◆ FREEZER DOOR
(WITH HEATER WIRE ON ALL FOUR SIDES, SINGLE LOOP, INTO A 2" X 4" EXTERIOR JUNCTION BOX.)
- ◆ METAL FINISH; ACRYLIC COATED GALVALUME 26 GA. STUCCO EMBOSSED.
- ◆ HEAVY DUTY DOOR FRAME METAL CLAD OVER SEAL PLYWOOD FOR STRUCTURAL STRENGTH ("A", "B")
- ◆ HEAVY DUTY KASON HARDWARE, LARGE HINGES, LATCH WITH INSIDE RELEASE OR DOOR CURTAIN BY OTHERS.
- ◆ 8 TO 12 BOLTS
8" X 3/8"Ø PASS-THRU BOLTS,
2"Ø WASHER AND NUTS

- ◆ THERMOPLASTIC PVC MAGNETIC GASKET AND BOTTOM DOUBLE SWEEP GASKET.
- ◆ 4" PVC CHANNEL AS RETURN JAMB ("C") OR U METAL TRIMS.
- ◆ AVAILABLE: IN OTHER METAL FINISHES
- ◆ 3/4" X 6" WOOD METAL CLAD INSIDE CASING LOOSE ("D") STANDARD

OPTIONS :

- ◆ KICK PLATE-ALUMINUM DIAMOND PLATE OF 36" HIGH INTERIOR, EXTERIOR OR BOTH SIDES.
- ◆ WHITE STUCCO EMBOSSED GALVANIZED STEEL WITH SILICONIZED POLYESTER PAINT.
- ◆ STAINLESS STEEL #304 IN & OUT
- ◆ VISION PANEL 3 PANE, NON HEATED OR HEATED, OF 12" X 12" OR 12" X 24"
- * PLUG DOOR CAN BE ORDERED FOR STOCK, TO BE EITHER, A COOLER OR A FREEZER, WITH HEATER WIRE TO A J.BOX. (USUALLY THIS IS USED WHEN BOUGHT IN QUANTITIES FOR STOCK)

4" INSULATION:

AK-XPS4™
HI-PERFORMANCE
PANEL CORE

COOLERS R-29
FREEZERS R-32