

# AK SERIES 3 QUICK SHIP - 30 & 36" DOOR

## STANDARD SPECS

- 4" THICK AK-XPS4 INSULATION
- R-29 FOR COOLERS OR R-32 FOR FREEZERS
- SINGLE 30 OR 36" X 76" CENTERED 2 HINGED FLUSH DOOR\*
- 50 YEAR THERMAL WARRANTY ON INSULATION
- 15 YEAR PANEL WARRANTY
- 5 DOORS/FLOORS WARRANTY
- 1 YEAR LABOR WARRANTY
- 1 YEAR PARTS WARRANTY

## STANDARD ACCESSORIES

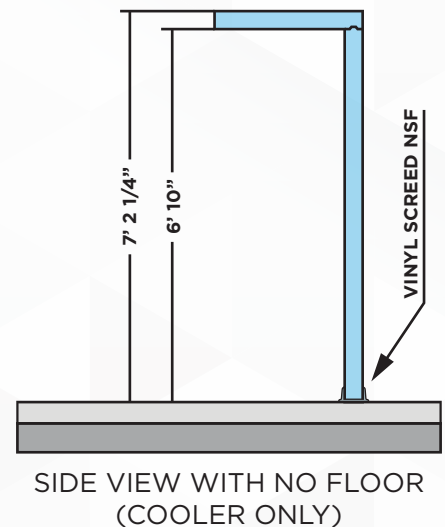
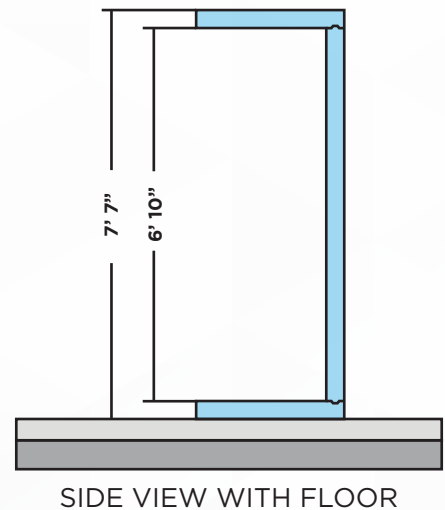
- TEMPERATURE REGULATING THERMOSTAT HEATER
- WIRE AND HEATED RELIEF VENT ON FREEZER DOORS
- 2 SUPER CAM-RISE SPRING ASSISTED HINGES
- INTERIOR SAFETY LOCK RELEASE HANDLE
- SPRING ACTUATED DOOR CLOSER
- DIGITAL LED THERMOMETER WITH PILOT LIGHT SWITCH
- VAPOR-PROOF LIGHT CENTERED ON INTERIOR JAMB

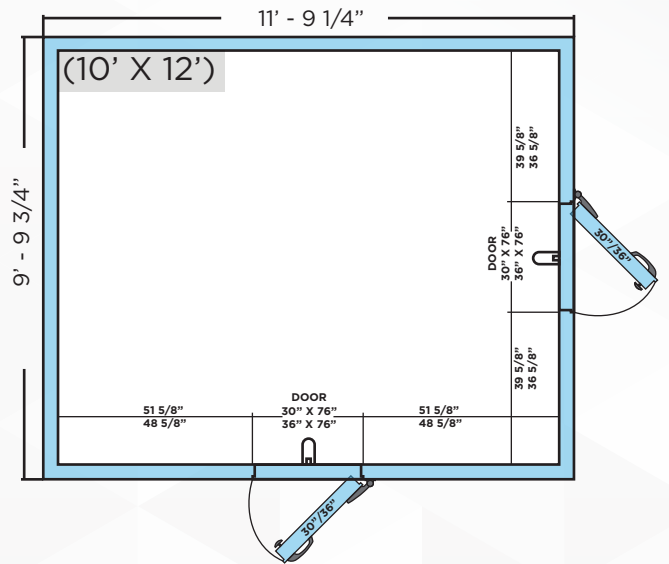
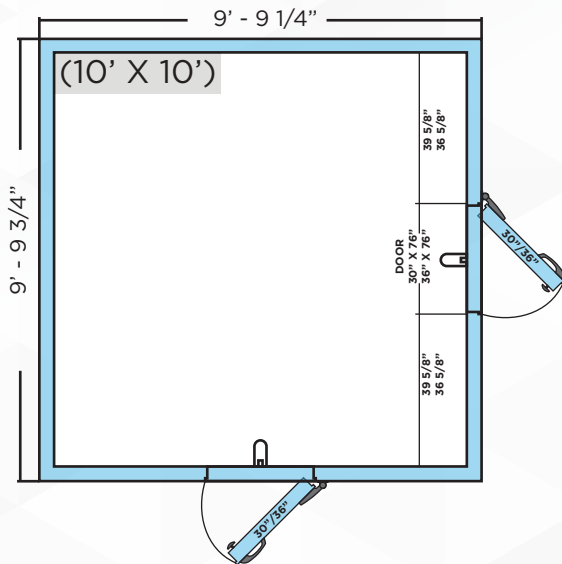
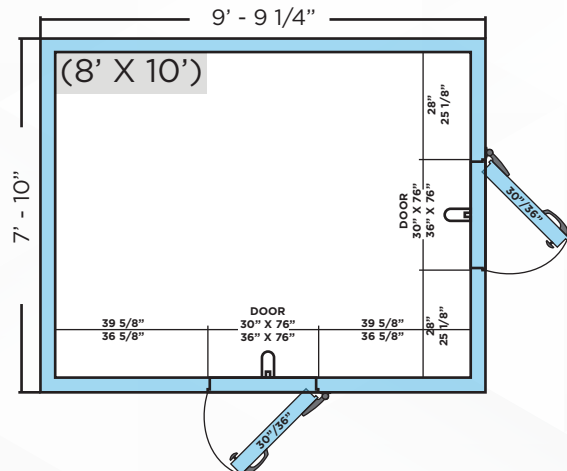
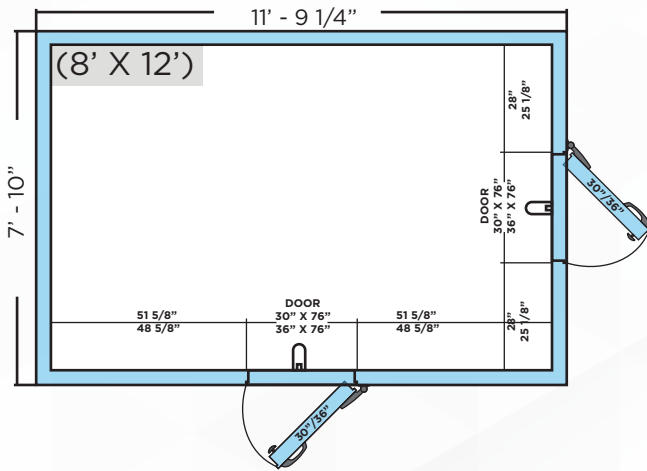
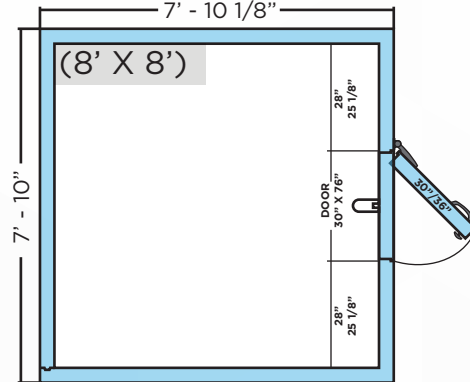
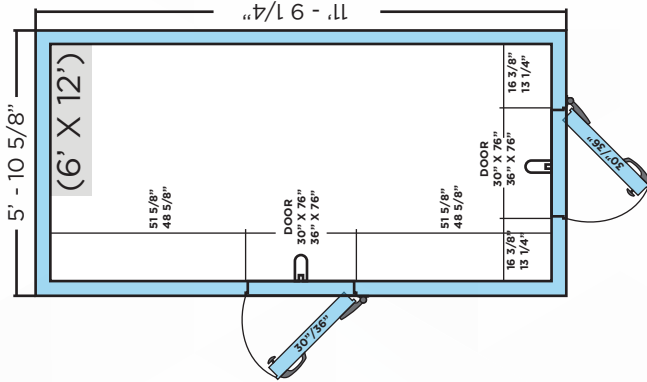
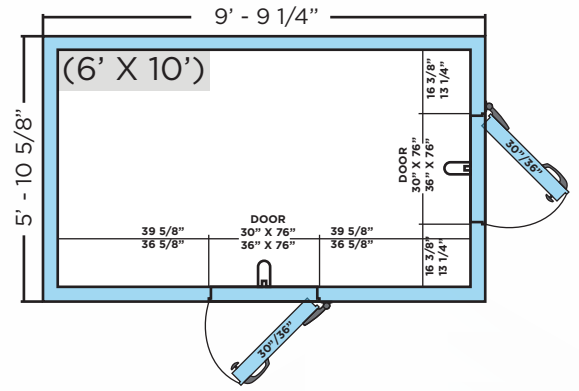
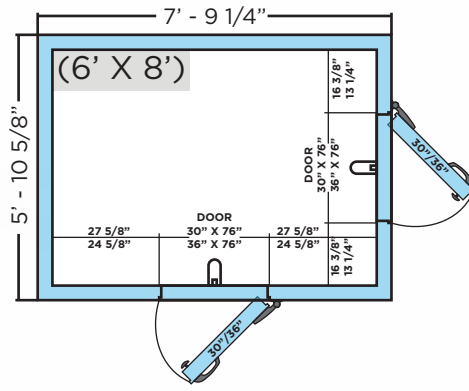
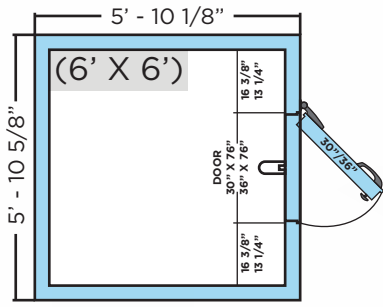
## STANDARD FEATURES

- INTERIOR AND EXTERIOR PANELING AVAILABLE IN CORROSION RESISTANT, STUCCO EMBOSSED ACRYLUME
- SMOOTH ALUMINUM INTERIOR FLOOR RATED AT 600 LB/SQ.FT. OF UNIFORMLY DISTRIBUTED LOAD
- FLOOR-LESS WALK-INS ARE SUPPLIED WITH NSF VINYL SCREED WALK-IN COOLER DOOR ELECTRICAL 115/1 /60, 1.0 AMP.
- TOTAL SHIPPING WEIGHT: 1043 LBS. (2 PALLETS).

## AK SERIES 3 MODEL OPTIONS

- 6" X 6"
- 6" X 8"
- 6" X 10"
- 6" X 12" **6x Size**
- 8" X 8"
- 8" X 10"
- 8" X 12" **8x Size**
- 10" X 10"
- 10" X 12" **10x Size**





\*Drawings show door locations and clearances only, secondary door not included in AK Series 3 Quick Ships