

SECTIONAL VIEW AT GLASS
DOOR OPG.(COOLER)

4" INSULATION:

AK-XPS4™
HI-PERFORMANCE
PANEL CORE

COOLERS R-29
FREEZERS R-32

OUTSIDE STANDARD HEIGHT

- 7'-7" (91")
- 8'-7" (109")

ALL WITH LIQUID LINES, EXPANSION VALVE, SOLENOID VALVE,
THERMOSTAT, FAN DELAY CONTROL, TIMER, SITE GLASS, DRIER FILTER
& LOOSE WATER VALVE.

4 1.5 HP HWNO15H2*LSFC430AMC2K
(43315 BTUH @ +35°F BOX) WATER
COOLED HERMETIC INDOOR UL
SYSTEM 208-230/60/3 GPM 3.2

2 1.5 HP HWNO14L6*LSF090BMC6K
(8700 BTUH @ 0°F BOX) WATER
COOLED HERMETIC INDOOR UL
SYSTEM 208-230/60/3 GPM 2.5

1 3HP
SWN-0343L6C*(2)LSF180BMC6K
(19850 BTUH @ 0°F BOX) WATER
COOLED SEMI HERMETIC INDOOR UL
SYSTEM 208-230/60/3 GMP 5.

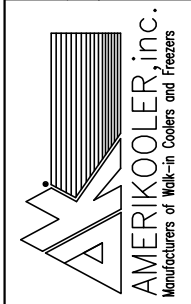
1 4 HP SWNO400L6C-LSF240BMC6K
(24360 BTUH @ -43°F BOX) WATER
COOLED SEMI-HERMETIC INDOOR UL
SYSTEM 208-230/60/3 GMP 7.3

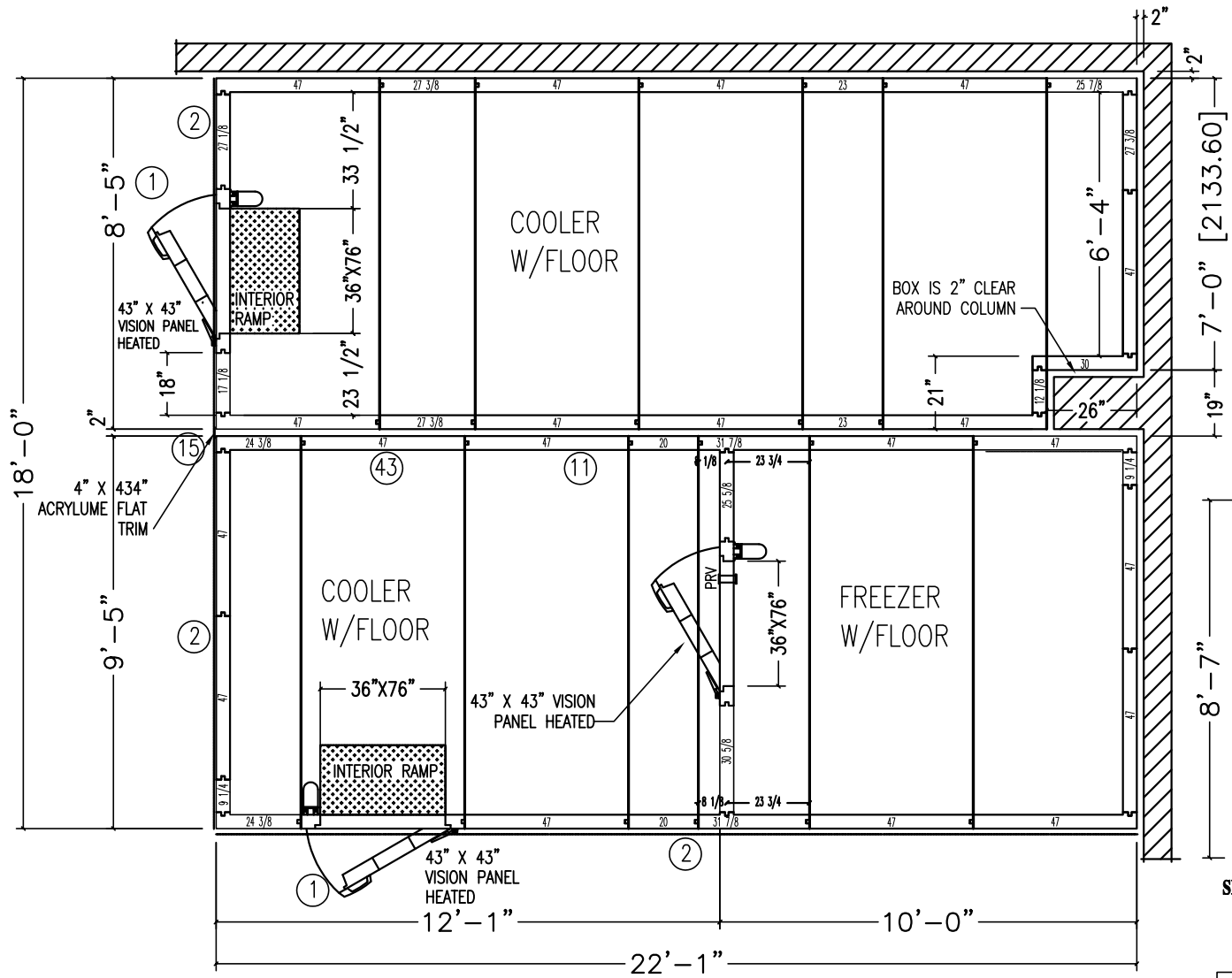
1 3HP HWNO30H2*LSFC260AMC2K
(26845 BTUH @ +35°F BOX) WATER
COOLED HERMETIC INDOOR UL
SYSTEM 208-230/60/3 GPM 5.5

CUSTOM: COOLER (4) / FREEZER (2) COMBINATION QUOTE#:
PO#:

SCALE: DRAWN BY: DATE: REV: JOB NUMBER: PAGE: 8 of 43 FAX#:

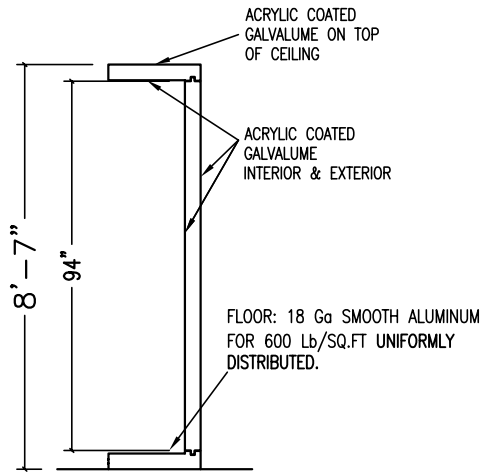
575 EAST 43RD AVENUE, HIALEAH, FLORIDA 33043
TEL: (305) 884-8384, TOLL FREE: (800) 827-5965
FAX: (305) 884-8330





4" INSULATION:
AK-XPS4™
HI-PERFORMANCE
PANEL CORE
COOLERS R-29
FREEZERS R-32

OUTSIDE STANDARD HEIGHT
 ♦ 7'-7" (91")
 ♦ 8'-7" (103")

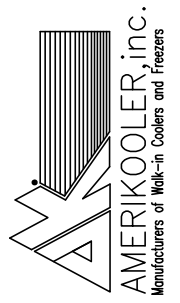


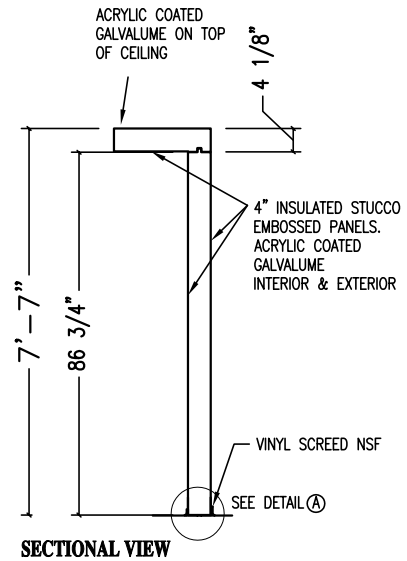
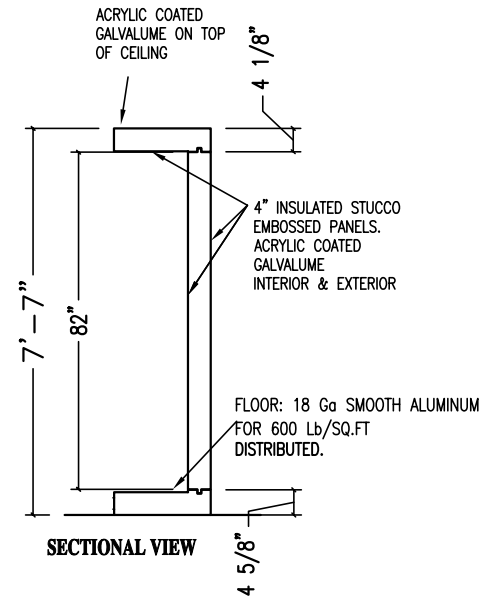
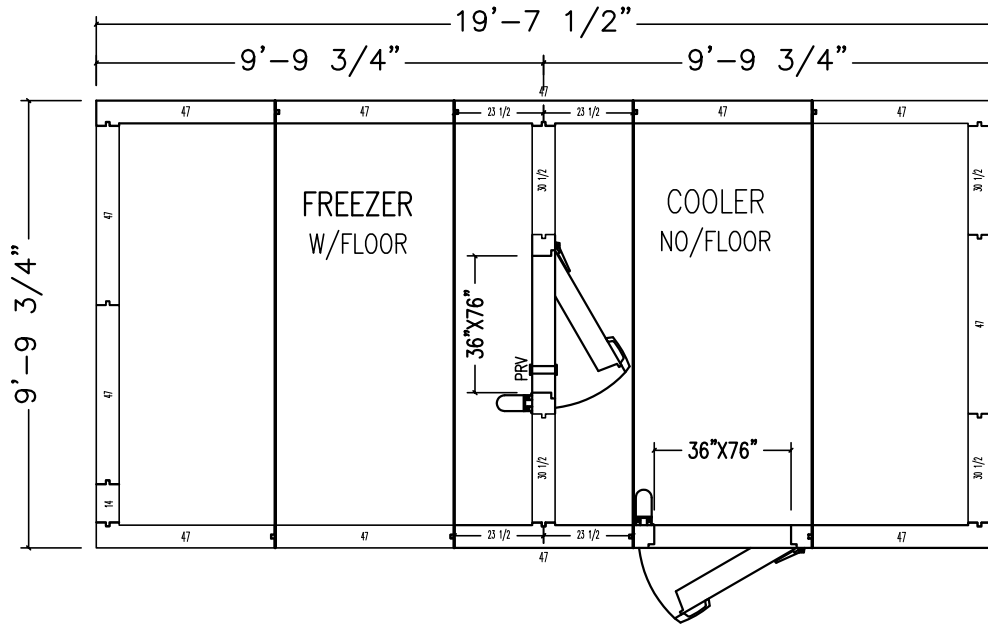
SECTIONAL VIEW

VERIFY ALL OUTSIDE DIMENSIONS OF THE WALK-IN IN ORDER TO ALLOW A MINIMUM 2" CLEAR (AIR) BETWEEN WALK-IN AND EXISTING/PROJECTED STRUCTURES

QUOTE#:		PO#:	
SCALE:		DATE:	REV:
DRAWN BY:		JOB NUMBER:	
575 EAST 43th AVENUE, HIALEAH, FLORIDA, 33043			
TEL (305)884-3384, TOLL FREE 1(800)827-5865			
FAX (305)884-8330			

CUSTOM: TRIPLE COMBINATION





4" INSULATION:

AK-XPS4™

**HI-PERFORMANCE
PANEL CORE**

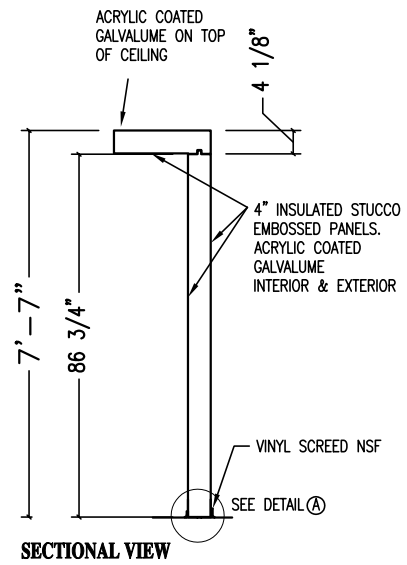
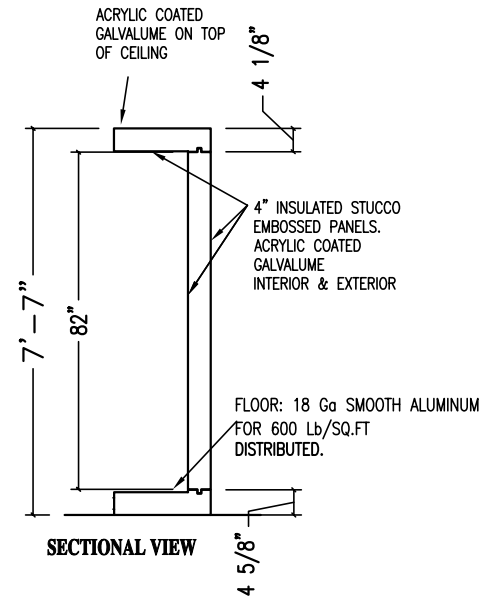
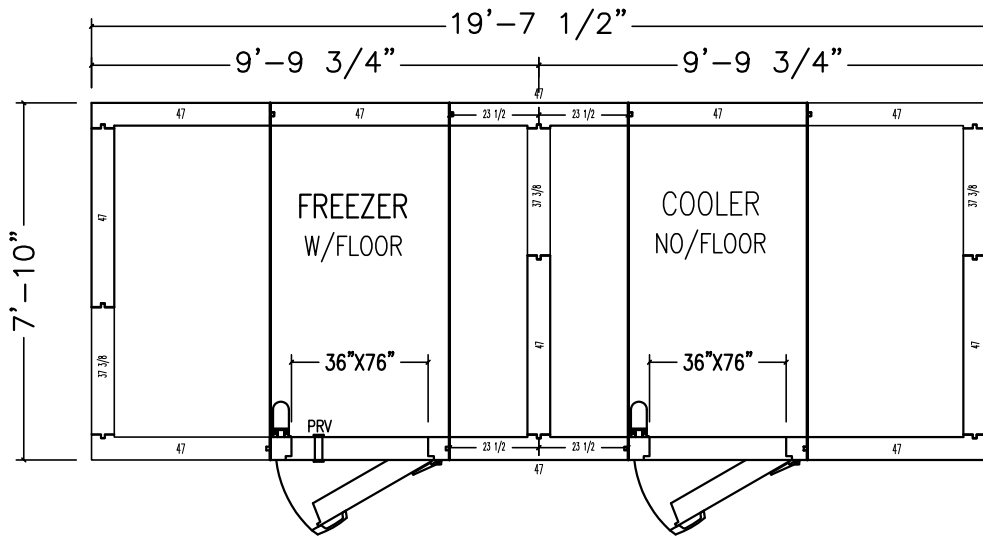
COOLERS R-29

FREEZERS R-32

OUTSIDE STANDARD HEIGHT

- ◆ 7'-7" (91")
- ◆ 8'-7" (103")

CUSTOMER NAME: FREEZER WITH FLOOR / COOLER (NO FLOOR) - COMBINATION	DATE:	REV: 0	QUOTE#:
	SCALE: 3/8" = 1"	DRAWN BY:	PO#: P.O. #
JOB NUMBER:		PAGE: 10 of 43	FAX#:
AMERIKOOLER, inc. Manufacturers of Walk-in Coolers and Freezers			575 EAST 43th AVENUE, HIALEAH, FLORIDA 33043 FAX (305) 884-8330



4" INSULATION:

AK-XPS4™

**HI-PERFORMANCE
PANEL CORE**

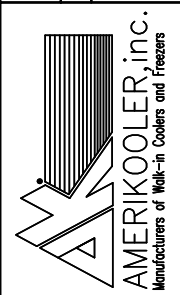
COOLERS R-29

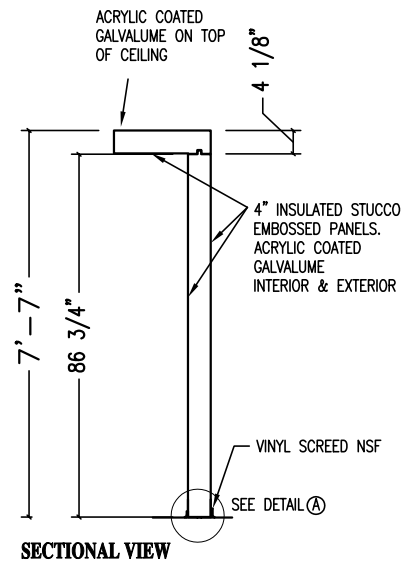
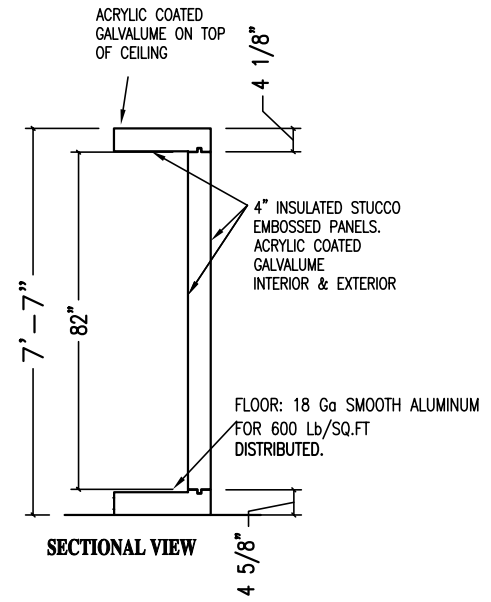
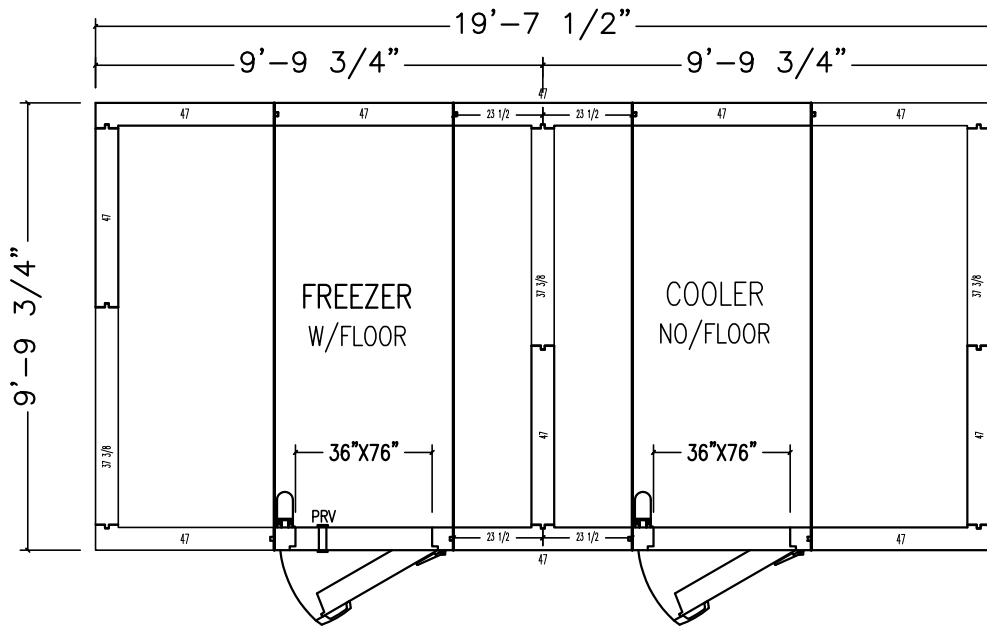
FREEZERS R-32

OUTSIDE STANDARD HEIGHT

- ♦ 7'-7" (91")
- ♦ 8'-7" (103")

CUSTOMER NAME: FREEZER WITH FLOOR / COOLER (NO FLOOR) . COMBINATION		JOB NAME: FREEZER WITH FLOOR / COOLER (NO FLOOR) . COMBINATION	
SCALE: 3/8" = 1"	DRAWN BY:	DATE:	REV: 0
575 EAST 43th AVENUE, HIALEAH, FLORIDA 33043 FAX (305) 884-8330		JOB NUMBER:	QUOTE#:
		PAGE: 11 of 43	PO#: P.O. # FAX#:





4" INSULATION:

AK-XPS4™

**HI-PERFORMANCE
PANEL CORE**

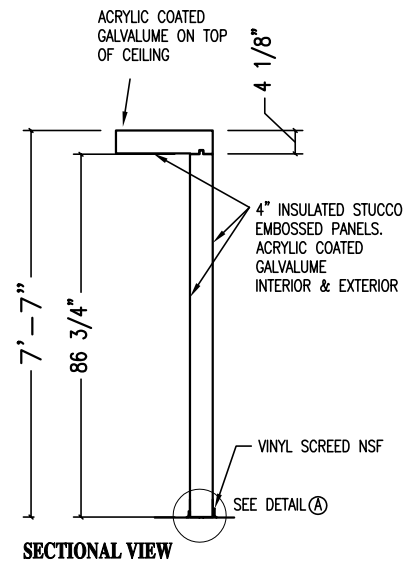
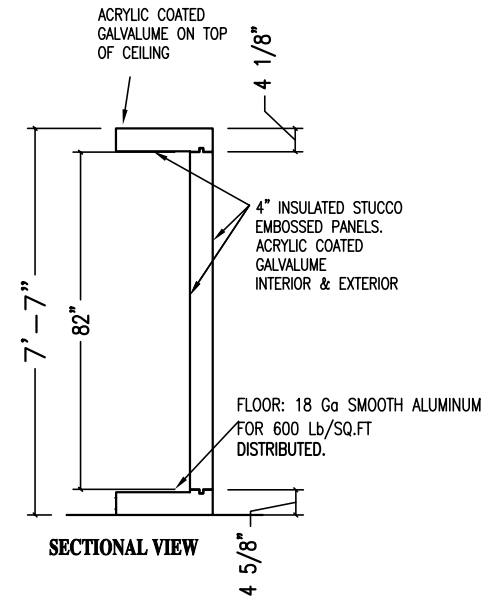
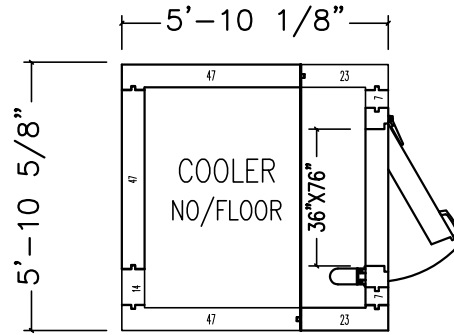
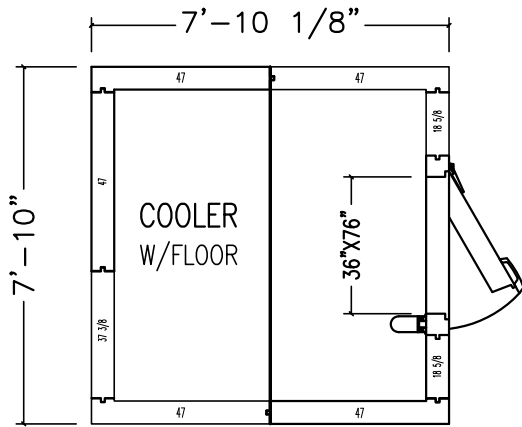
COOLERS R-29
FREEZERS R-32

OUTSIDE STANDARD HEIGHT

- ♦ 7'-7" (91")
- ♦ 8'-7" (103")

CUSTOMER NAME: FREEZER WITH FLOOR / COOLER (NO FLOOR) - COMBINATION	JOB NAME: FREEZER WITH FLOOR / COOLER (NO FLOOR) - COMBINATION	QUOTE#: PO#: P.O. #: FAX#:
	SCALE: 3/8" = 1" DRAWN BY:	DATE: JOB NUMBER: REV: 0

AMERIKOOLER, inc.
 Manufacturers of Walk-in Coolers and Freezers
 575 EAST 43th AVENUE, HIALEAH, FLORIDA 33043
 FAX (305) 884-8330



4" INSULATION:

AK-XPS4™

**HI-PERFORMANCE
PANEL CORE**

**COOLERS R-29
FREEZERS R-32**

OUTSIDE STANDARD HEIGHT

- ♦ 7'-7" (91")
- ♦ 8'-7" (103")

CUSTOMER NAME: SINGLE COMPARTMENT WITH FLOOR		JOB NAME:	
SCALE: 3/8" = 1"	DRAWN BY:	DATE:	REV: 0
575 EAST 43th AVENUE, HIALEAH, FLORIDA 33043 FAX (305) 884-8330		JOB NUMBER:	QUOTE#:
AMERIKOOLER, inc. Manufacturers of Walk-in Coolers and Freezers		PAGE: 13 of 43	P.O.#:
		FAX#:	FAX#: